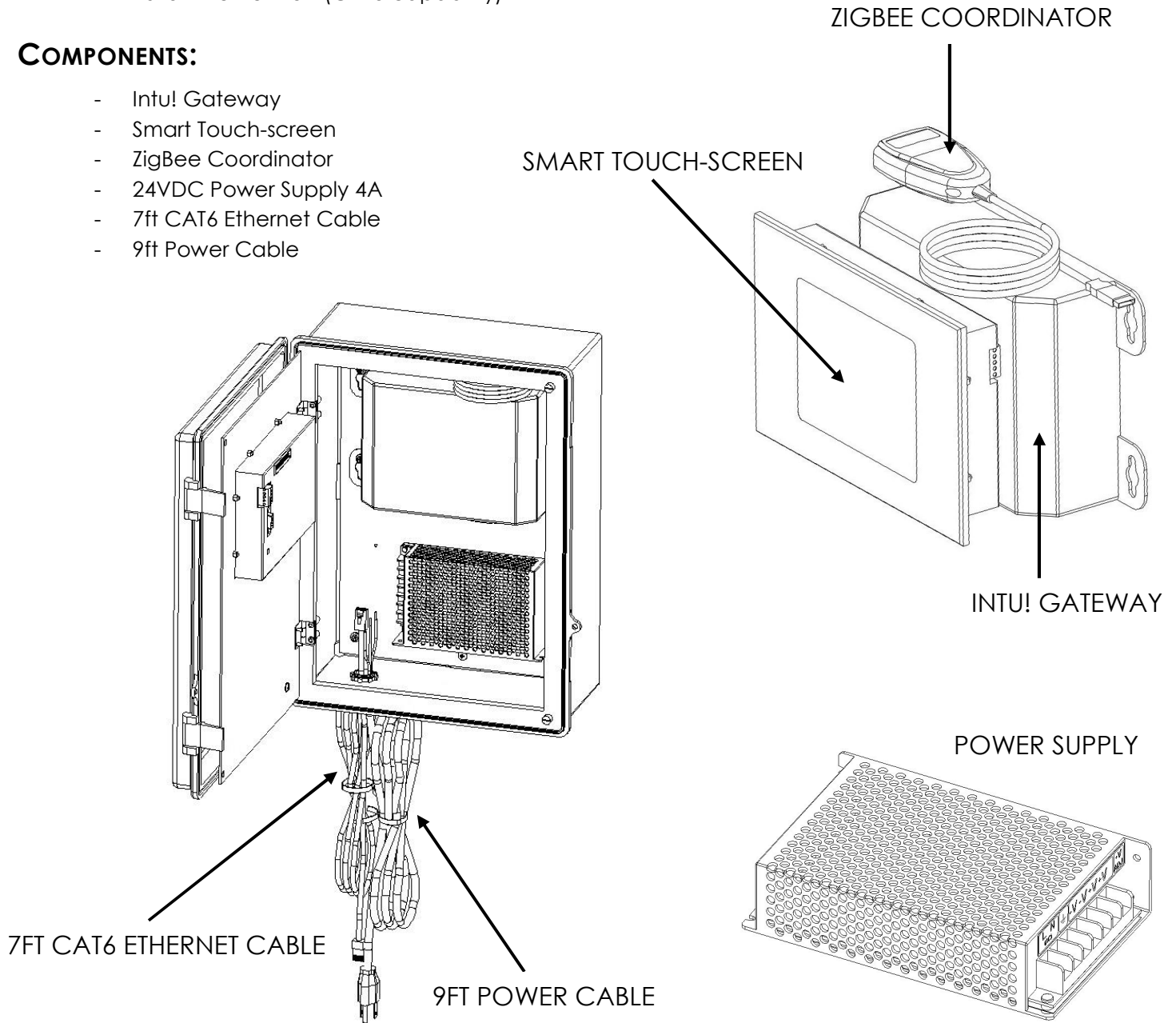


FACILITY REQUIREMENTS:

- 120V Outlet 15A
- RJ45 Ethernet Port (CAT5 capability)

COMPONENTS:

- Intu! Gateway
- Smart Touch-screen
- ZigBee Coordinator
- 24VDC Power Supply 4A
- 7ft CAT6 Ethernet Cable
- 9ft Power Cable



DIMENSIONS (INCHES):

(Overall dimension for the Intu! Control Panel,).

